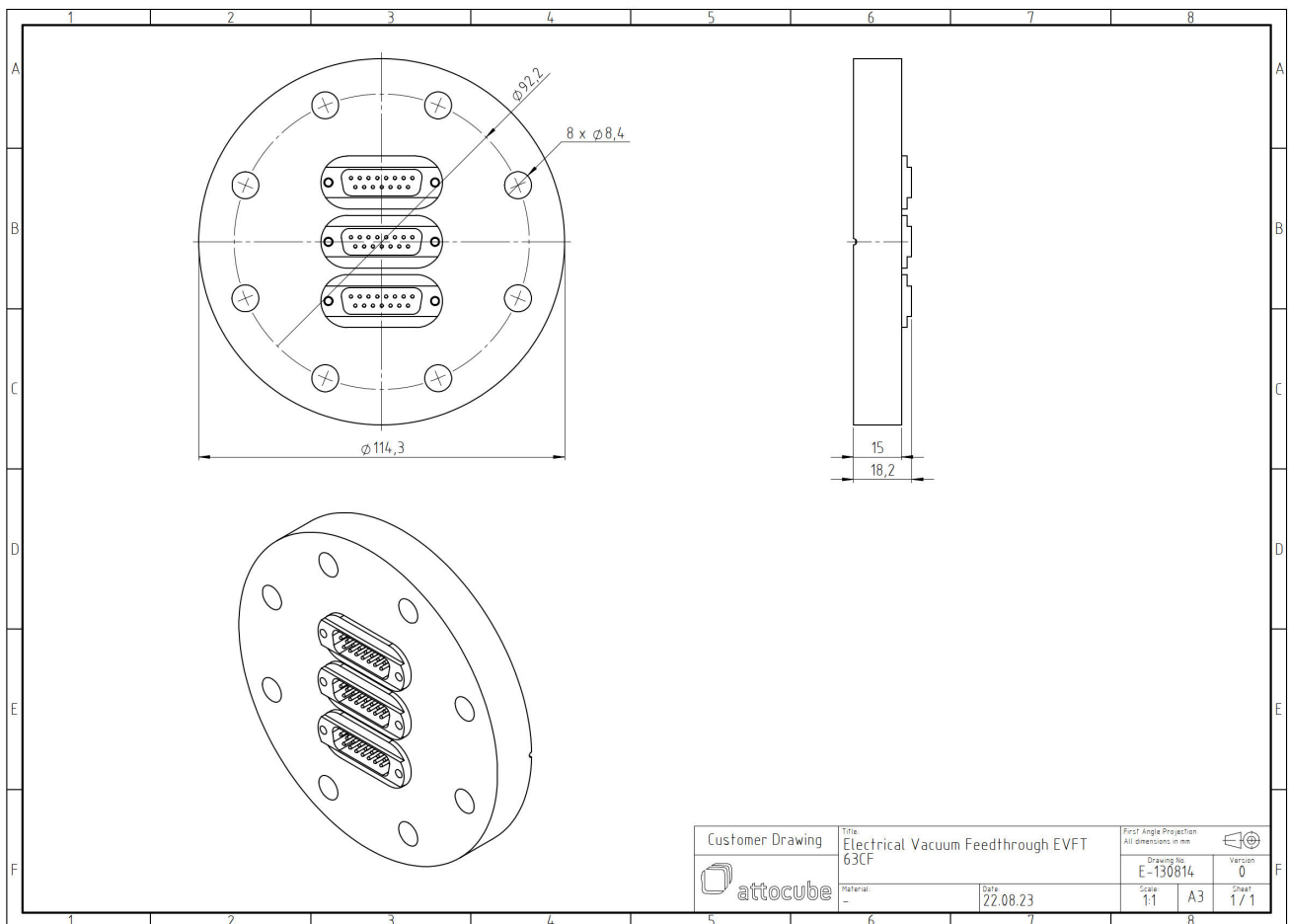


# Electrical Vacuum Feedthrough EVFT 63CF

1015854

## Technical Specifications

<b>Size and Dimensions</b>	
weight	1111 g
flange size	DN63
norm (standard)	DIN 41652, MIL-C-24308
outer diameter flange	114.3mm
outer dimension connector	38 mm x 53,5 mm (16.2 mm each)
pin diameter	1 mm
<b>Materials</b>	
flange	stainless steel 316L
pins	NiFe, gold coated
flange sealing	copper
electrical feedthrough seal	glass-ceramic
<b>General Specifications</b>	
max. leakage rate	5e-10 mbar-l/s He
sealing mechanism	CF: copper gasket (screw fixation)
connector	3 x SubD-15 male
max. current per pin	5 A
continuous current per pin	3 A
<b>Working Conditions</b>	
operating pressure	5e-11 mbar (UHV)
operating temperature	-200 °C to 230 °C
<b>Scope of Delivery</b>	
flange incl. feedthrough	63CF flange with 3 x SubD-15 feedthrough (no gasket incl.)



Customer Drawing	Title: Electrical Vacuum Feedthrough EVFT 63CF	First Angle Projection All dimensions in mm
	Material: --	Drawing No: E-130814 Version: 0
	Date: 22.08.23	Scale: 1:1 A3 Sheet: 1 / 1