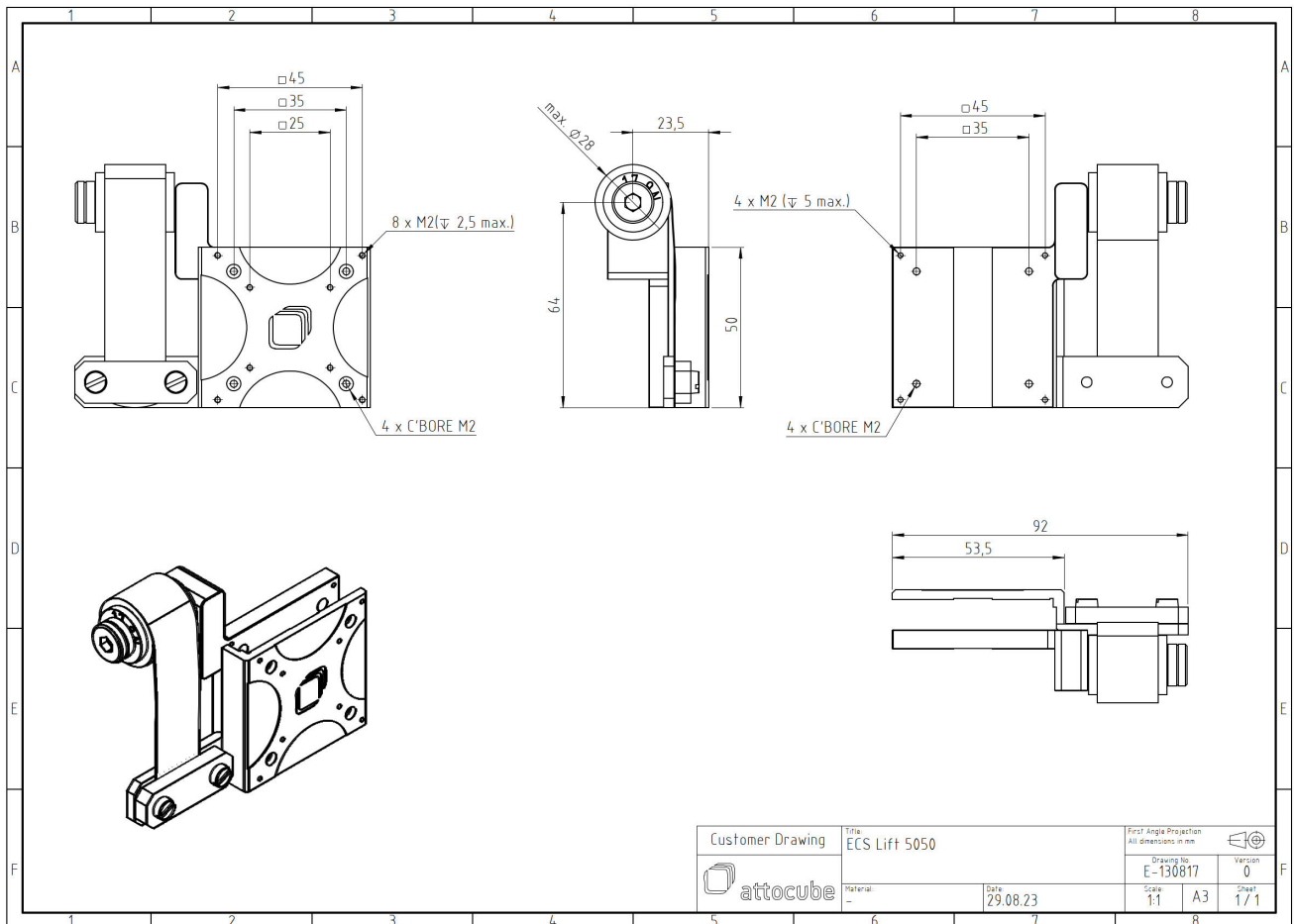


# ECS Lift/5050

1011298

## Technical Specifications

<b>Size and Dimensions</b>	
footprint base plate	68.5 x 92 mm <sup>2</sup>
height	94.75 mm
weight (mechanical parts)	279.5 g
weight (spring add-on)	13 - 60 g
weight (parts to be lifted)	153.3 g
<b>Materials</b>	
springs & mechanical mountings	stainless steel
roll	PEEK
screw	stainless steel A2
<b>General Specifications</b>	
constant force	10.5 N, 17.9 N, or 22 N (depending on spring)
tolerance constant force	+/-20%
dynamic force	specified by used ECSx5050 positioner
expected lifetime	~ 5 x 5000 cycles *
mounting	stainless steel
<b>Working Conditions</b>	
operating pressure	5e-11 mbar (UHV)
operating temperature	0 - 150 °C
<b>Scope of Delivery</b>	
springs	10.5 N (1 pc.), 17.9 N (1 pc.), and 22 N (1 pc.)
mechanical mountings	ECSx5050 compatible mounting
screws	M6x25 (1 pc.), M3x8 (4 pcs.), M4x8 (4 pcs.)



Customer Drawing	Title ECS Lift 5050	First Angle Projection All dimensions in mm
	Material: -	Drawing No. E-130817
	Date 29.08.23	Version 0
		Scale 1:1
		A3
		Chest 1/1