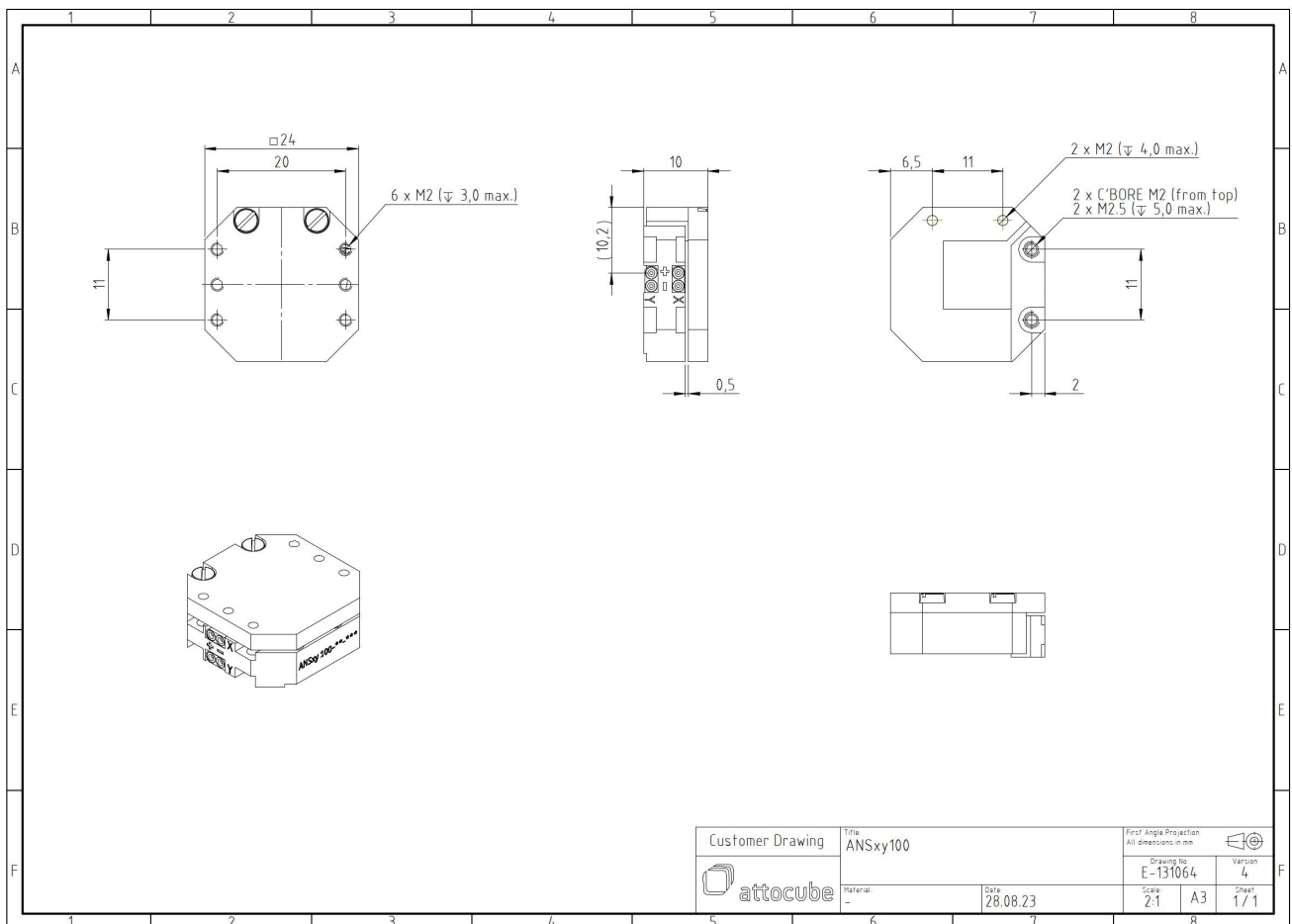


ANSxy100lr/LT/HV xy-Scanner made from Titanium

1001092

Technical Specifications

Size and Dimensions	
footprint; height	24 mm x 24 mm; 10 mm
maximum installation space	24 mm x 24 mm; 10 mm
weight	18 g
height	10 mm
Materials	
positioner body	titanium
actuator	PZT ceramics
connecting wires	insulated twisted pair, copper
Coarse Positioning Mode	
typical actuator capacitance @ 300 K [μ F]	5.55
Fine Positioning Mode	
fine linear positioning range @ 300 K	50 x 50 μ m
fine linear positioning range @ 4 K	30 x 30 μ m
fine positioning resolution	sub-nm
typical actuator capacitance fine @ 300 K	5.55 μ F
typical actuator capacitance fine @ 4 K	0.75 μ F
input DC voltage range @ 300 K	0 - 60 V
input DC voltage range @ 4 K	0 - 150 V
*	scan range depends on environment
Load (@ ambient conditions)	
maximum load	100 g
General Specifications	
environment	/LT/HV



Customer Drawing	Title: ANSxy100	First Angle Projection All dimensions in mm
	Material: -	Drawing No: E-131064
	Date: 28.08.23	Version: 4
		Scale: 2:1
		A3
		Chest: 1/1