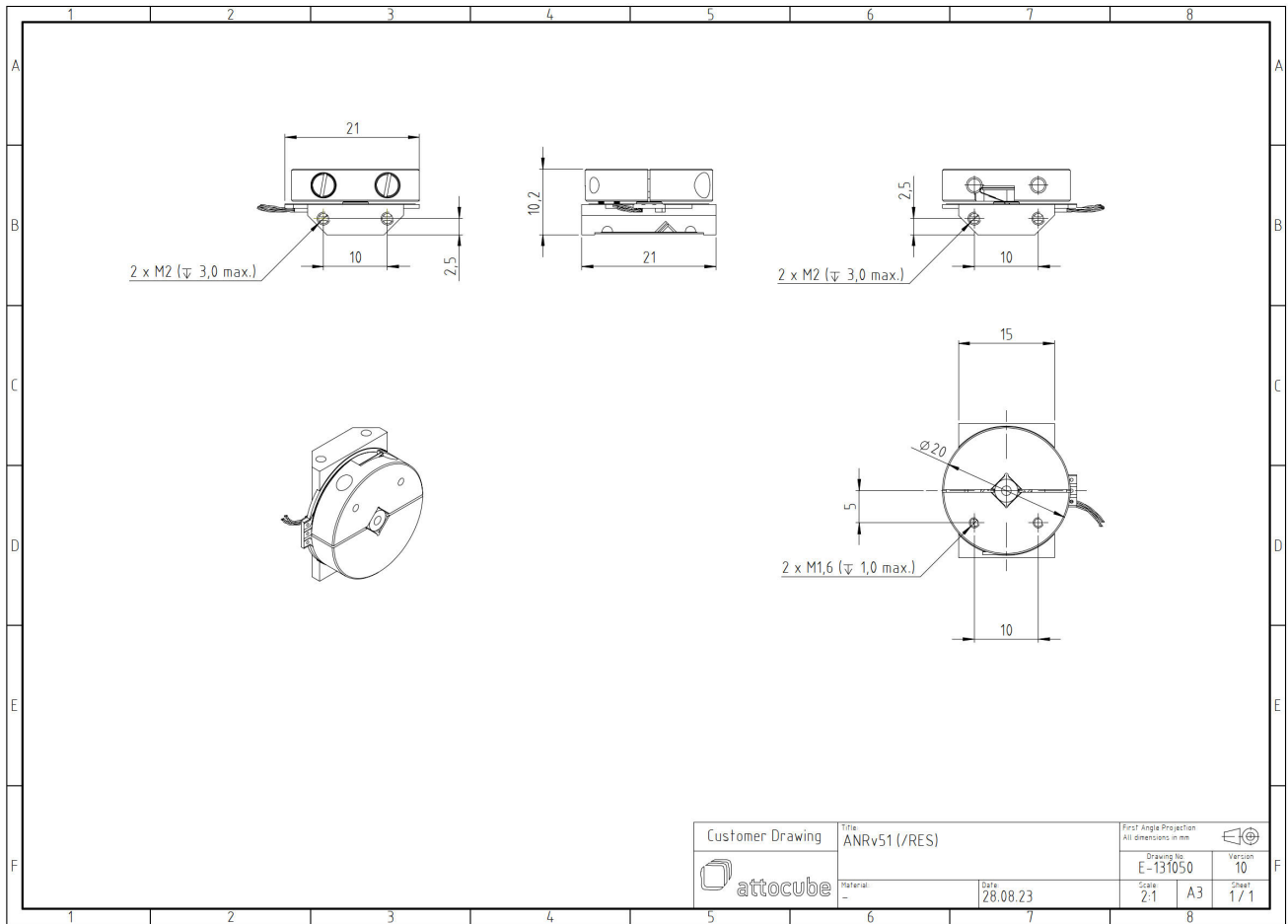


# ANRv51/ULT/RES+/HV - rotator (360° endless)

1014090

## Technical Specifications

<b>Size and Dimensions</b>	
footprint; height	10 mm x 20 mm; 21 mm
weight	17 g
height	21 mm
<b>Materials</b>	
positioner body	beryllium copper
actuator	PZT ceramics
connecting wires	insulated twisted pair, copper
<b>Coarse Positioning Mode</b>	
travel range (step mode)	360 ° endless
maximum drive velocity @ 300 K	~ 10 °/s
input voltage range	0 - 60 V
typical actuator capacitance @ 300 K [µF]	1.9
<b>Fine Positioning Mode</b>	
fine angular positioning range @ 300 K	40 m°
fine angular positioning range @ 4 K	6 m°
fine positioning resolution	µ°
input DC voltage range @ 300 K	0 - 60 V
input DC voltage range @ 4 K	0 - 150 V
<b>Position Encoder</b>	
readout mechanism	resistive sensor
encoded travel range	315°
sensor resolution	~ 6 m°
sensor power (when measuring)	0.01 - 1 mW
repeatability	50 m° (unidirectional)
<b>Load (@ ambient conditions)</b>	
maximum load	20 g
maximum dynamic torque around axis	0.2 Ncm
<b>General Specifications</b>	
environment	/ULT /ULT/HV



Customer Drawing	Title: ANRv51 (/RES)		First Angle Projection All dimensions in mm	
	Material: -		Drawing No: E-131050	Version: 10
Date: 28.08.23		Scale: 2:1	A3	Sheet: 1 / 1

