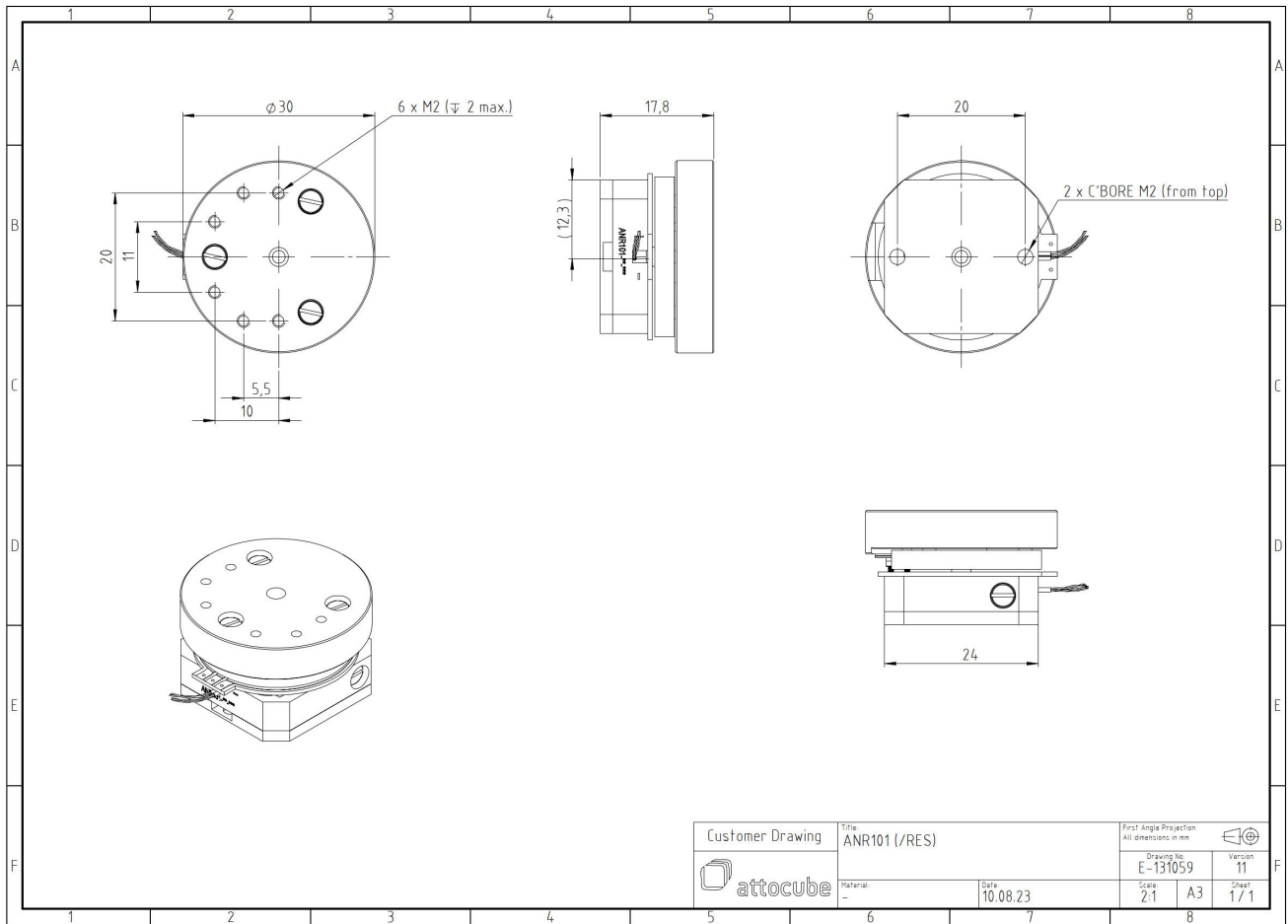


# ANR101/RES/UHV - rotator (360° endless)

1002215

## Technical Specifications

<b>Size and Dimensions</b>	
footprint; height	24 mm x 24 mm; 15.8 mm
weight	36 g
height	15.8 mm
<b>Materials</b>	
positioner body	titanium
actuator	PZT ceramics
connecting wires	insulated twisted pair, copper
<b>Coarse Positioning Mode</b>	
travel range (step mode)	360 ° endless
maximum drive velocity @ 300 K	~ 30 °/s
input voltage range	0 - 60 V
typical actuator capacitance @ 300 K [ $\mu$ F]	1.2
<b>Fine Positioning Mode</b>	
fine angular positioning range @ 300 K	70 m°
fine positioning resolution	$\mu$ °
input DC voltage range @ 300 K	0 - 120 V
<b>Position Encoder</b>	
readout mechanism	resistive sensor
encoded travel range	315°
sensor resolution	~ 6 m°
sensor power (when measuring)	0.01 - 1 mW
repeatability	50 m° (unidirectional)
<b>Load (@ ambient conditions)</b>	
maximum load	100 g
maximum dynamic torque around axis	0.8 Ncm
<b>General Specifications</b>	
environment	/UHV



Customer Drawing	Title: ANR101 (/RES)		First Angle Projection All dimensions in mm	
	Material: ---		Drawing No: E-131059	Version: 11
Date: 10.08.23		Scale: 2:1	A3	Sheet: 1 / 1