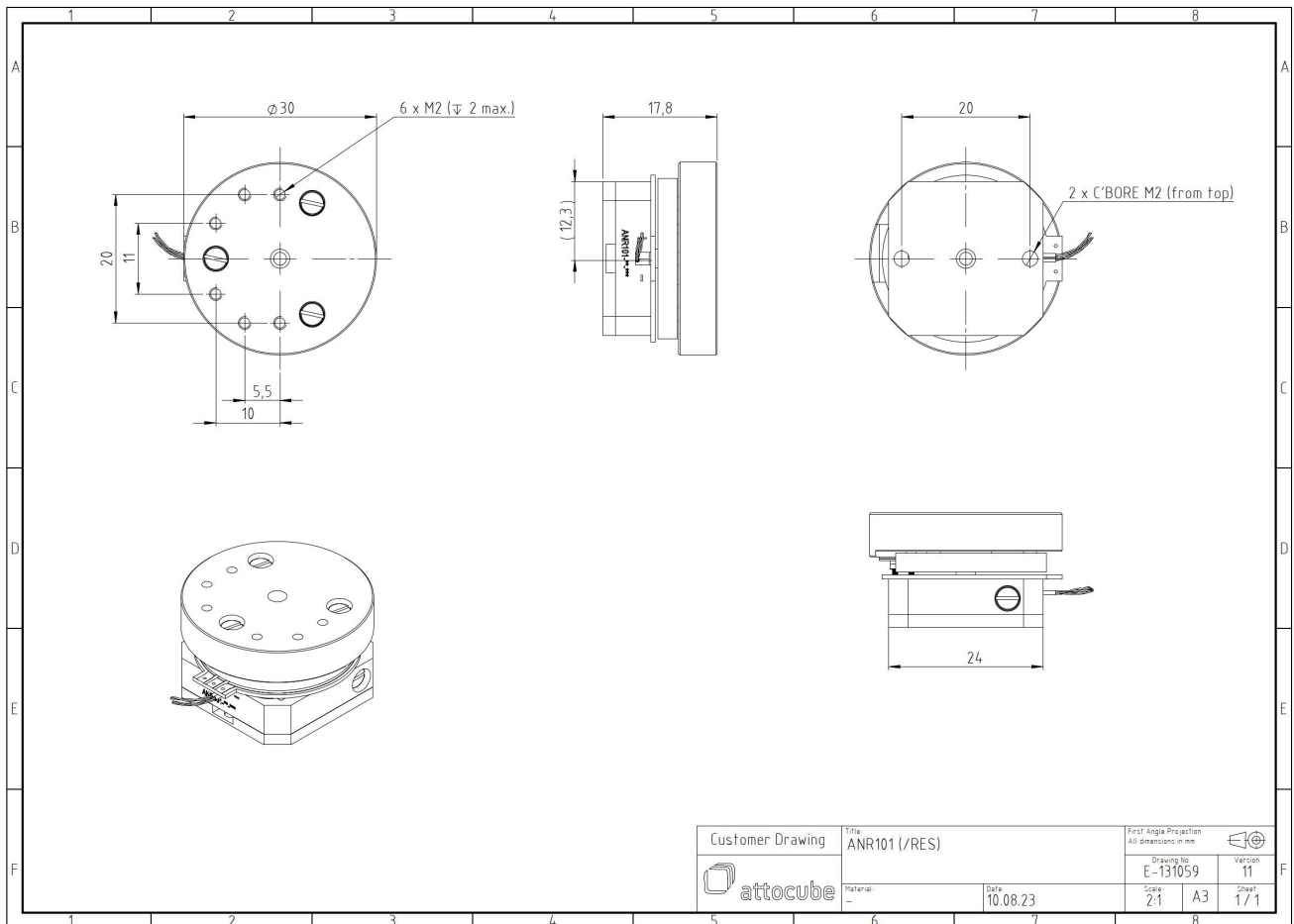


# ANR101/LT - rotator (360° endless)

1002206

## Technical Specifications

<b>Size and Dimensions</b>	
footprint; height	24 mm x 24 mm; 15.2 mm
weight	36 g
height	15.2 mm
<b>Materials</b>	
positioner body	titanium
actuator	PZT ceramics
connecting wires	insulated twisted pair, copper
<b>Coarse Positioning Mode</b>	
travel range (step mode)	360 ° endless
maximum drive velocity @ 300 K	~ 30 °/s
input voltage range	0 - 60 V
<b>Fine Positioning Mode</b>	
fine angular positioning range @ 300 K	70 m°
fine angular positioning range @ 4 K	14 m°
fine positioning resolution	μ°
input DC voltage range @ 300 K	0 - 120 V
input DC voltage range @ 4 K	0 - 150 V
<b>Load (@ ambient conditions)</b>	
maximum load	100 g
maximum dynamic torque around axis	0.8 Ncm
<b>General Specifications</b>	
environment	/LT



Customer Drawing 	Title ANR101 (/RES)	First Angle Projection All dimensions in mm
	Material -	Date 10.08.23
Drawing No. E-131059		Version 11
Scale 2:1		A3 Sheet 1/1