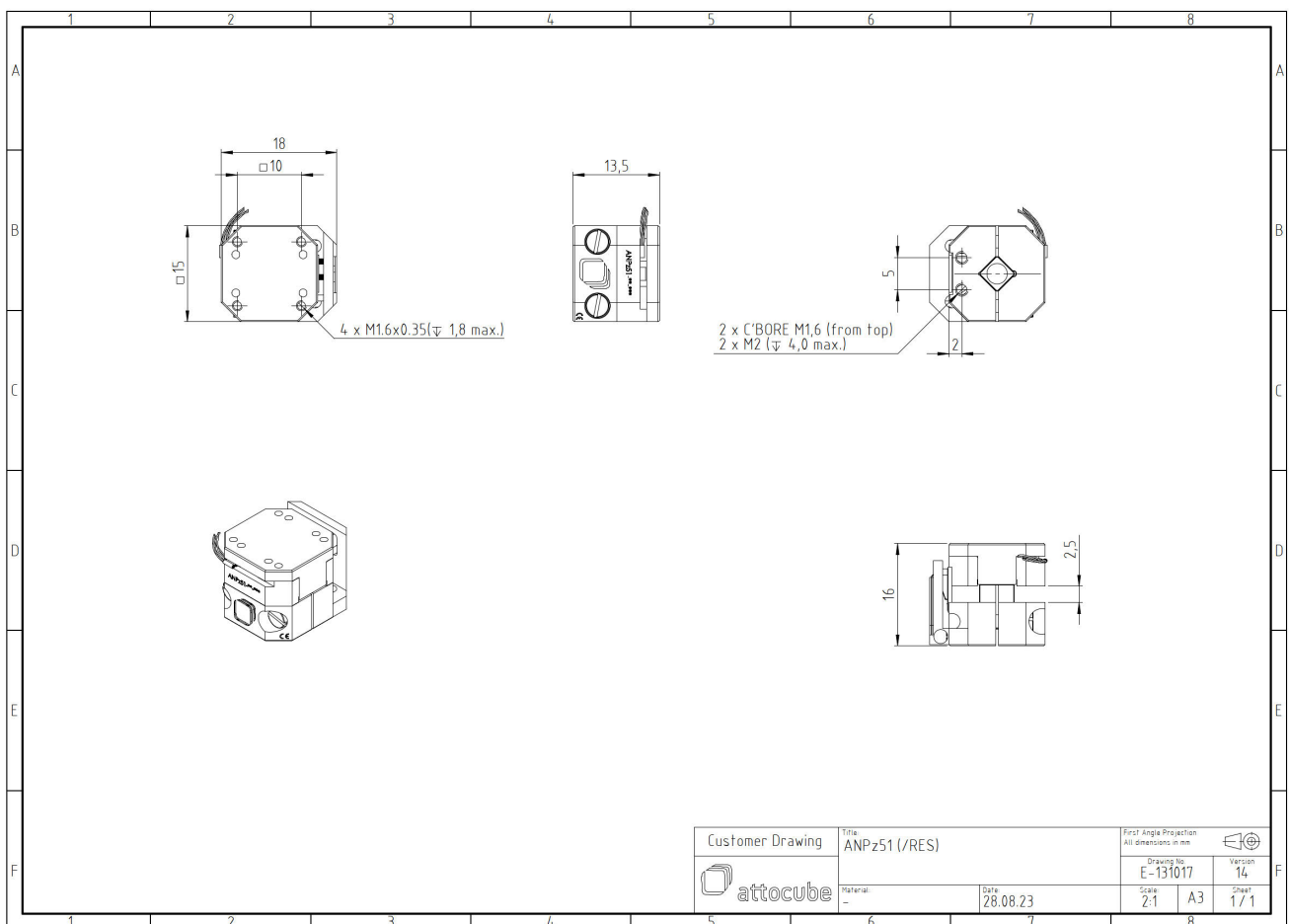


ANPz51/LT - linear z-nanopositioner

1002226

Technical Specifications

Size and Dimensions	
footprint; height	15 mm x 15 mm; 13.5 mm
maximum installation space	15 mm x 15 mm; 16 mm
weight	11 g
height	13.5 mm
Materials	
positioner body	titanium
actuator	PZT ceramics
connecting wires	insulated twisted pair, copper
Coarse Positioning Mode	
travel range (step mode)	2.5 mm
maximum drive velocity @ 300 K	~ 1 mm/s
input voltage range	0 - 60 V
typical actuator capacitance @ 300 K [μF]	1.11
typical minimum step size @ 300 K	50 nm
Fine Positioning Mode	
fine linear positioning range @ 300 K	3.5 μm
fine linear positioning range @ 4 K	0.5 μm
fine positioning resolution	sub-nm
input DC voltage range @ 300 K	0 - 100 V
input DC voltage range @ 4 K	0 - 150 V
Load (@ ambient conditions)	
maximum load	50 g
maximum dynamic force along the axis	1 N
General Specifications	
environment	/LT



Customer Drawing	Title: ANPz51 (/RES)	First Angle Projection All dimensions in mm
	Material: -	Scale: 2:1
	Date: 28.08.23	A3
		Cheer: 1/1