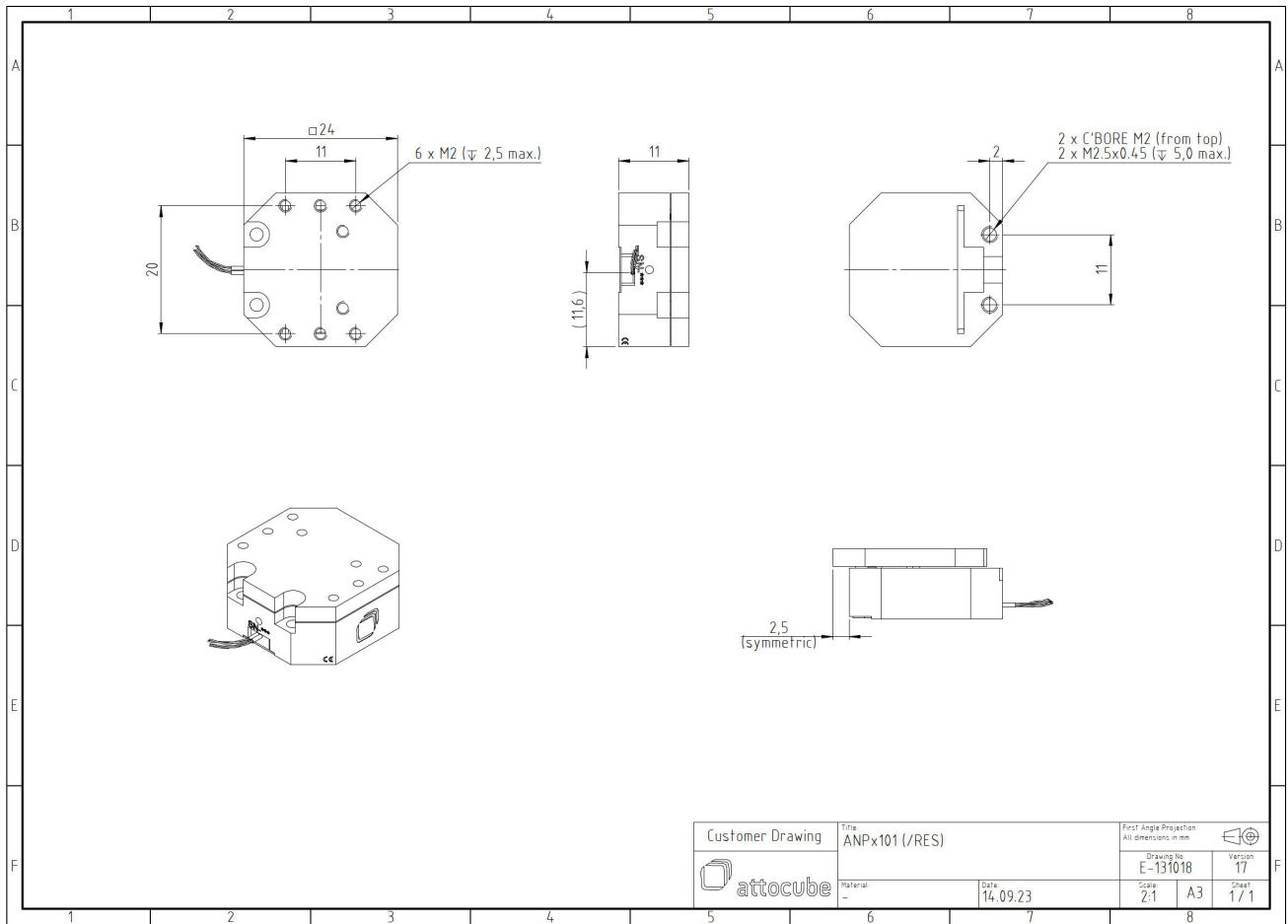


ANPx101/RES/RT - linear x-nanopositioner

1002807

Technical Specifications

Size and Dimensions	
footprint; height	24 mm x 24 mm; 11 mm
maximum installation space	24 mm x 29 mm; 11 mm
weight	20 g
height	11 mm
Materials	
positioner body	titanium
actuator	PZT ceramics
connecting wires	insulated twisted pair, copper
Coarse Positioning Mode	
travel range (step mode)	5 mm
maximum drive velocity @ 300 K	~ 3 mm/s
input voltage range	0 - 60 V
Fine Positioning Mode	
fine linear positioning range @ 300 K	3.5 μ m
fine positioning resolution	sub-nm
input DC voltage range @ 300 K	0 - 100 V
Position Encoder	
readout mechanism	resistive sensor
encoded travel range	full travel
sensor resolution	~ 200 nm
sensor power (when measuring)	0.01 - 1 mW
repeatability	1.2 μ m (unidirectional)
Load (@ ambient conditions)	
maximum load	100 g
maximum dynamic force along the axis	2 N
General Specifications	
environment	/RT



Customer Drawing	Title: ANPx101 (/RES)		First Angle Projection All dimensions in mm	
	Material: -		Drawing No: E-131018	Version: 17
Date: 14.09.23		Scale: 2:1	A3	Sheet: 1 / 1