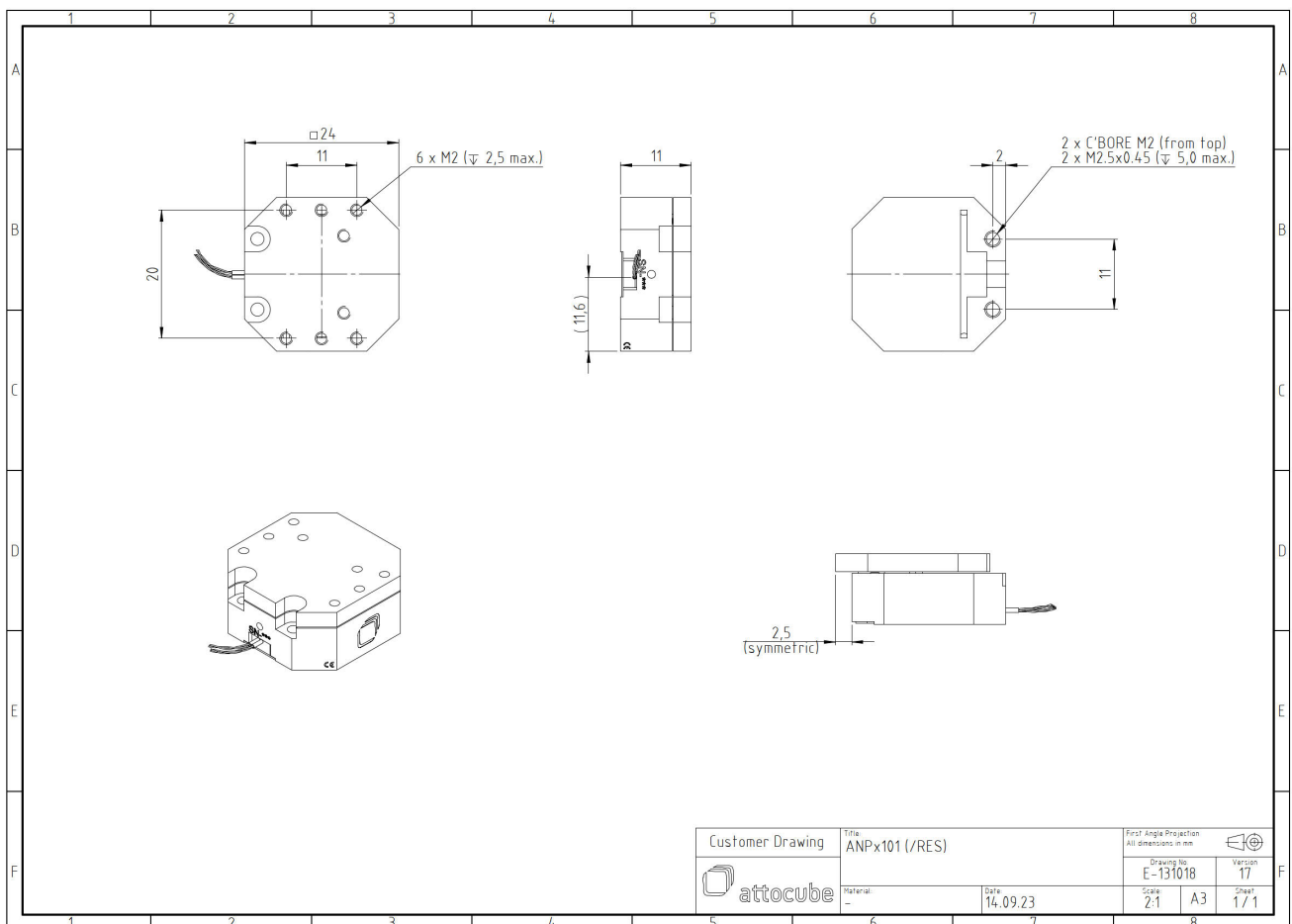



# ANPx101/LT - linear x-nanopositioner

1001285

## Technical Specifications

<b>Size and Dimensions</b>	
footprint; height	24 mm x 24 mm; 11 mm
maximum installation space	24 mm x 29 mm; 11 mm
weight	20 g
height	11 mm
<b>Materials</b>	
positioner body	titanium
actuator	PZT ceramics
connecting wires	insulated twisted pair, copper
<b>Coarse Positioning Mode</b>	
travel range (step mode)	5 mm
maximum drive velocity @ 300 K	~ 3 mm/s
input voltage range	0 - 60 V
<b>Fine Positioning Mode</b>	
fine linear positioning range @ 4 K	0.5 $\mu$ m
fine positioning resolution	sub-nm
input DC voltage range @ 300 K	0 - 100 V
input DC voltage range @ 4 K	0 - 150 V
<b>Load (@ ambient conditions)</b>	
maximum load	100 g
maximum dynamic force along the axis	2 N
<b>General Specifications</b>	
environment	/LT



Customer Drawing 	Title ANPx101 (/RES)	First Angle Projection All dimensions in mm	
	Material -	Date 14.09.23	Scale 2:1
		Drawing No. E-131018	Version 17
		Scale 2:1	A3 Sheet 1/1