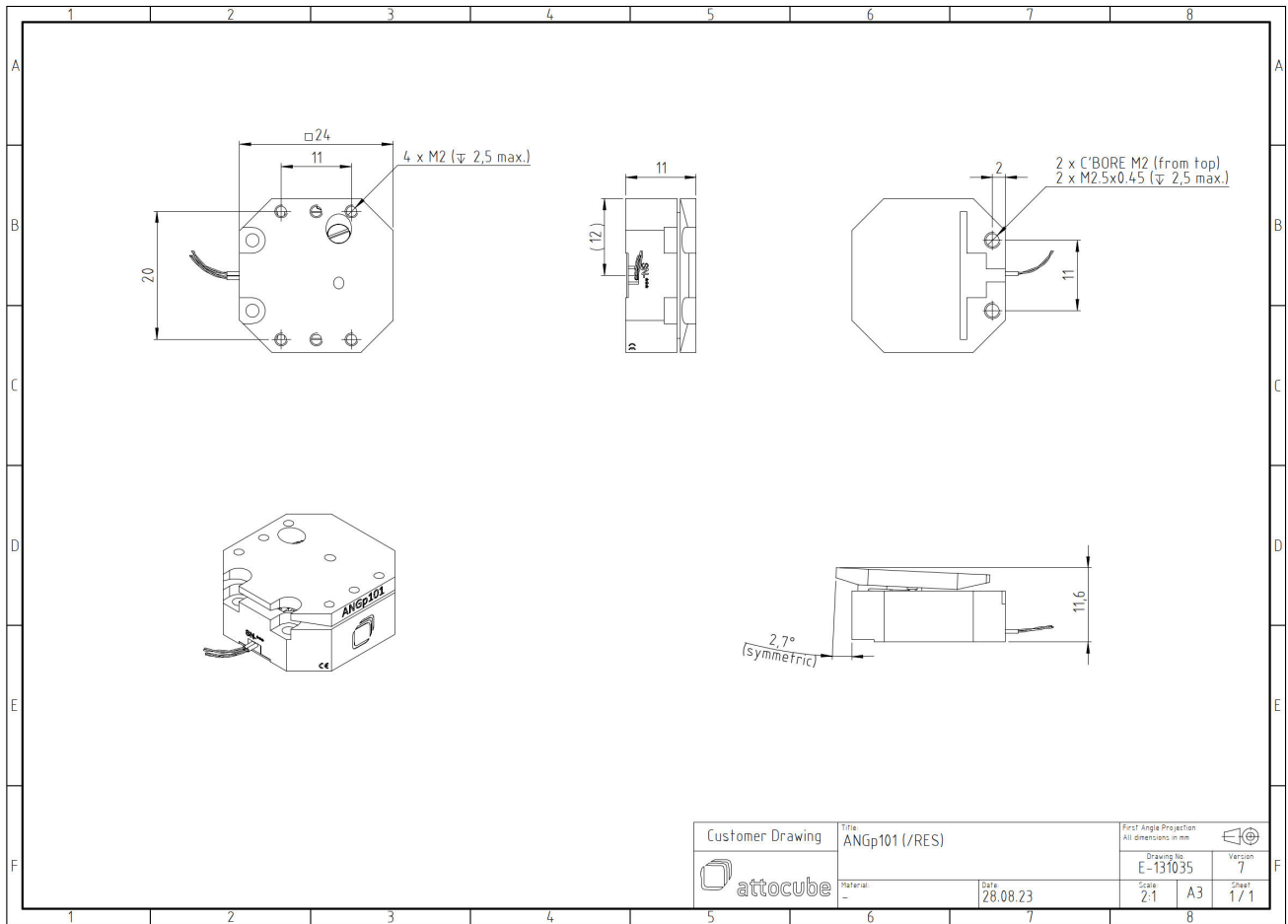


ANGp101/RES/RT - goniometer for "phi" tilting

1002793

Technical Specifications

| | |
|--------------------------------------|--------------------------------|
| Size and Dimensions | |
| footprint; height | 24 mm x 24 mm; 11 mm |
| distance center of rotation to top | 51 mm |
| maximum installation space | 28.9 mm x 24 mm; 11.6 mm |
| weight | 18 g |
| height | 11 mm |
| Materials | |
| positioner body | titanium |
| actuator | PZT ceramics |
| connecting wires | insulated twisted pair, copper |
| Coarse Positioning Mode | |
| travel range (step mode) | 5.4 ° |
| maximum drive velocity @ 300 K | ~ 1 °/s |
| input voltage range | 0 - 60 V |
| Fine Positioning Mode | |
| fine positioning resolution | no fine positioning capability |
| Position Encoder | |
| readout mechanism | resistive sensor |
| encoded travel range | full travel |
| sensor resolution | 0.1 m° |
| sensor power (when measuring) | 0.01 - 1 mW |
| repeatability | 2 m° |
| Load (@ ambient conditions) | |
| maximum load | 100 g |
| maximum dynamic force along the axis | 2 N |
| General Specifications | |
| environment | /RT |



| | | | | | |
|------------------|----------|----------------|----------|--|-------------|
| Customer Drawing | Title | ANGP101 (/RES) | | First Angle Projection All dimensions in mm | |
| | Material | Date | 28.08.23 | Drawing No. | Version |
| | | | | E-131035 | 7 |
| | | | | Scale | Sheet |
| | | | | 2:1 | A3 1 / 1 |