

LT-APO/ULWD/VISIR/0.35

Art.Nr.: 1013963

Technical Specifications

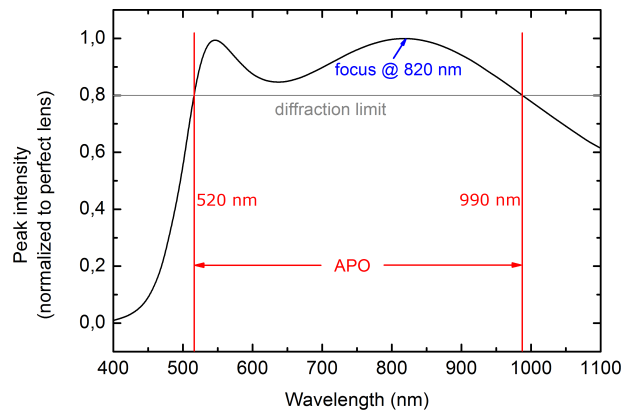
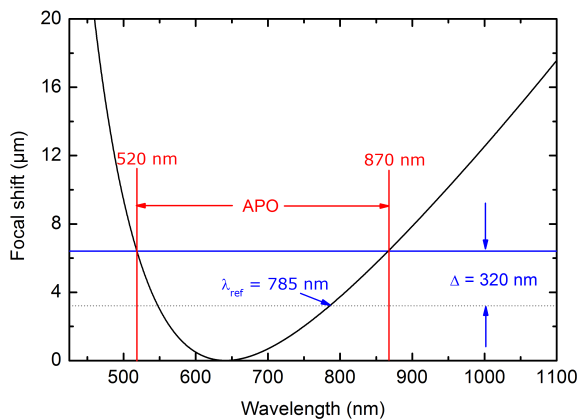
Optical Data	
clear aperture	4.7 mm
focal length	6.71 mm
numerical aperture(NA)	0.35
working distance	12.0 mm ⁽²⁾
Spectral Performance	
AR coating (> 80% transmission)	400 .. 1000 nm
apochromatic range (df < +/- delta)	520 .. 870 nm ⁽¹⁾
Compatibility	
environment	low temperature, high magnetic fields, ultra high vacuum
compatible setups	CFM I/cust, AFM/CFM/cust, attoDRY800
suitable broadband collimator	RT-APO/VIS-NIR/0.13
Size and Dimensions	
diameter	24 mm
length	48.35 mm
weight	approx. 50 g



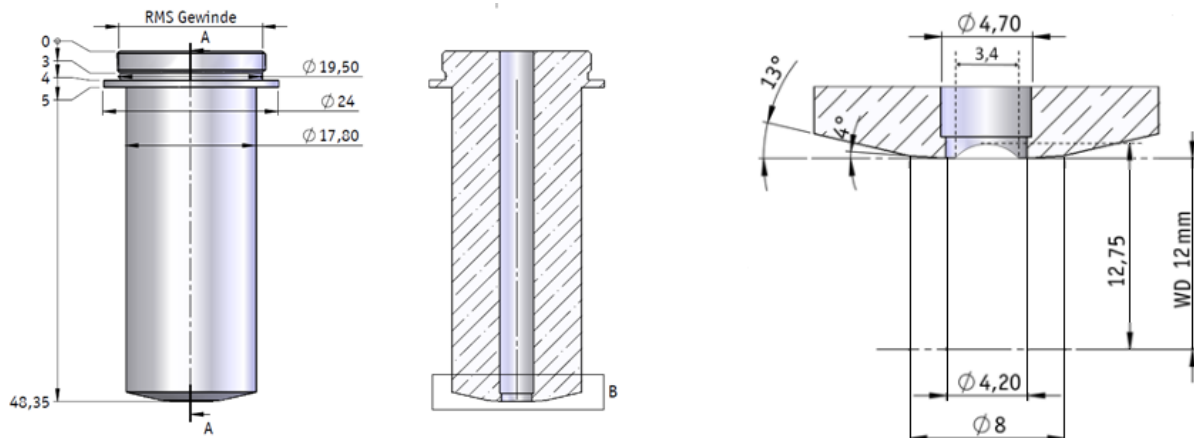
⁽¹⁾ df: chromatic focal shift, $\Delta f = n \cdot \lambda_{ref} / (2 \cdot NA^2)$; depth of focus, n: refractive index, λ_{ref} : wavelength used to define focal plane with max. Δf

⁽²⁾ designed exclusively for use with diamond anvils of thickness 1.55 +/- 0.45 mm

Simulation Data on Chromatic Performance



Technical Drawings



LT-APO/ULWD/VISIR/0.35/xs

Art.Nr.: 1014253

Technical Specifications

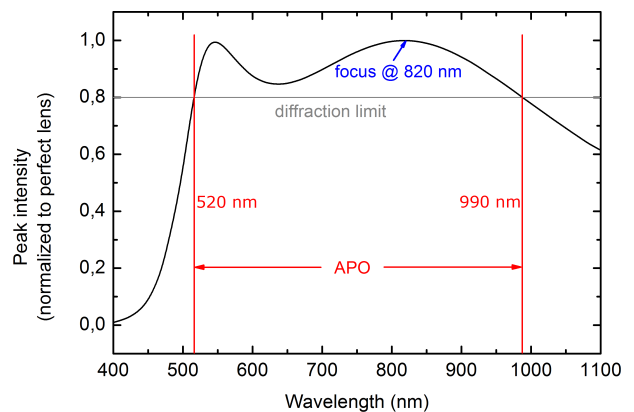
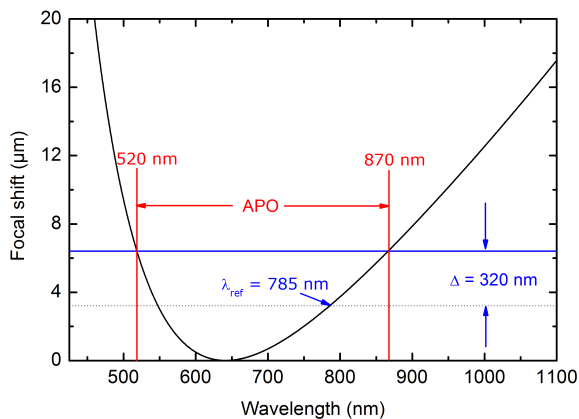
Optical Data	
clear aperture	4.7 mm
focal length	6.71 mm
numerical aperture(NA)	0.35
working distance	12.0 mm ⁽²⁾
Spectral Performance	
AR coating (> 80% transmission)	400 .. 1000 nm
apochromatic range (df < +/- delta)	520 .. 870 nm ⁽¹⁾
Compatibility	
environment	low temperature, high magnetic fields, ultra high vacuum
compatible setups	CFM I/cust, AFM/CFM/cust, attoDRY800
suitable broadband collimator	RT-APO/VIS-NIR/0.13
Size and Dimensions	
diameter	18.5 mm
length	50.35 mm
weight	approx. 50 g



⁽¹⁾ df: chromatic focal shift, $\Delta f = n \cdot \lambda_{ref} / (2 \cdot NA^2)$; depth of focus, n: refractive index, λ_{ref} : wavelength used to define focal plane with max. Δf

⁽²⁾ designed exclusively for use with diamond anvils of thickness 1.55 +/- 0.45 mm

Simulation Data on Chromatic Performance



Technical Drawings

